

VISOR® V10 Code Reader Standard, medium field of view

Reading of 1D and 2D codes

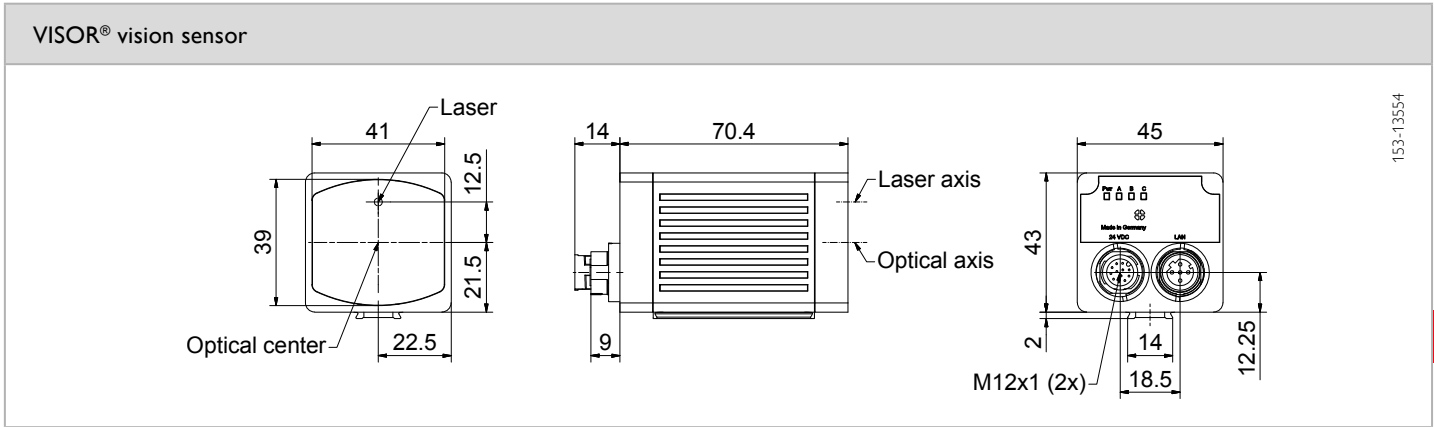


PRODUCT HIGHLIGHTS

- Can be used for all common 2D codes (ECC 200 data matrix) and common 1D bar codes
- Comprehensive tools for flexible and easy connection to PC and PLC environments

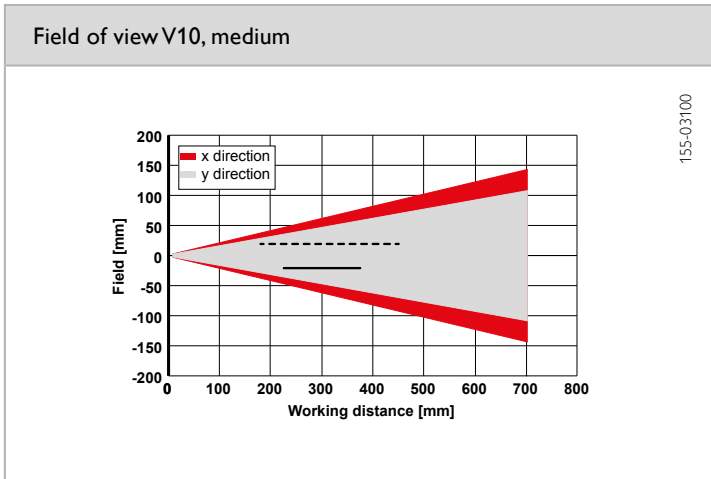
Optical data		Functions	
Resolution	800 x 600 pixels	Number of jobs / detectors	8 / 2
Imaging chip CMOS	1/3.6", monochrome	Detectors	Barcode: reading of 1D barcodes: EAN, UPC, RSS, 2/5 Interleaved, 2/5 Industrial, Code 32, Code 39, Code 93, Code 128, GS1, Pharmacode, Codabar; Datacode: reading of 2D barcodes: ECC200, QR-Code, PDF 417, ECC200 GS1
Integrated lens, focal length [mm]	9.6 (medium)		
Pixel size	4.8 µm x 4.8 µm		
Focus	Motorized		
Adjustment range	12 mm to infinity		
Integrated illumination	White (5000 K), red (635 nm), infrared (850 nm) LEDs		
Minimum field of view, X x Y	7 x 3 mm		
Electrical data		Mechanical data	
Operating voltage, +U _B	18 ... 30 DC ¹	Dimensions	70.4 x 45 x 45 mm (without plug)
Current consumption (without I/O)	≤ 300 mA	Enclosure rating	IP 67 & IP 65
Protective circuits	Reverse-polarity protection, U _B / short-circuit protection of all outputs	Material, housing	Aluminium, die-cast, RoHS compliant
Power On Delay	Approx. 13 s after Power on	Material, front screen	Plastic
Outputs	PNP/NPN (switchable)	Ambient temperature: operation	0 ... +50 °C ²
Max. output current (per output)	50 mA, 100 mA (pin 12)	Ambient temperature: storage	-20 ... +60 °C ²
Switching threshold inputs incl. encoder	PNP/NPN High > U _B -1 V / Low < 3 V	Weight	Approx. 200 g
Input resistance	> 20 kΩ	Plug connections	Supply and I/O M12, 12-pin Ethernet M12, 4-pin
Interfaces	Ethernet (LAN), EtherNet/IP, PROFINET, SensoWeb	Vibration resistance	EN 60068-2-6
Inputs/outputs	2 inputs, 2 outputs, 4 selectable inputs/outputs	Shock resistance	EN 60068-2-27
Encoder	No		

¹ Max. ripple < 5 V_{SS} ² 80 % air humidity, noncondensing



153-13554

4



155-03100

- Increased depth of field
- Normal depth of field

illumination	Part number	Article number	Accessories	
White	V10-CR-S3-W-M-M2	631-91062	Connection cables	From Page A-38
White	V10-CR-S3-W-MD-M2	631-91037	Illumination	From Page A-27
Red	V10-CR-S3-R-M-M2	631-91065	Brackets	From Page A-4
Red	V10-CR-S3-R-MD-M2	631-91067	Interface accessories	From Page A-38
Infrared	V10-CR-S3-I-M-M2	631-91070		
Infrared	V10-CR-S3-I-MD-M2	631-91071		